



[BCIS Home](#) |
 [Log In](#) |
 [User Registration](#) |
 [Hot Topics](#) |
 [Submit Surcharge](#) |
 [Stats & Facts](#) |
 [Publications](#) |
 [Contact Us](#) |
 [BCIS Site Map](#) |
 [Links](#) |
 [Search](#)



Product Approval
USER: Public User

[Product Approval Menu](#) >
 [Product or Application Search](#) >
 [Application List](#) >
 Application Detail

OFFICE OF THE SECRETARY

FL # Application Type Code Version Application Status Comments Archived Product Manufacturer Address/Phone/Email Authorized Signature Technical Representative Address/Phone/Email Quality Assurance Representative Address/Phone/Email Category Subcategory Compliance Method Florida Engineer or Architect Name who developed the Evaluation Report Florida License Quality Assurance Entity Quality Assurance Contract Expiration Date Validated By Certificate of Independence Referenced Standard and Year (of Standard) Equivalence of Product Standards Certified By Sections from the Code	FL20399-R1 Affirmation 2017 Approved <input type="checkbox"/> SOUTH FLORIDA ROLLING DOOR, INC. 3590 NW 34 St MIAMI, FL 33142 (305) 556-6633 aboveall2003@bellsouth.net Yiping Wang mcy@mcycengineering.com Exterior Doors Roll-Up Exterior Door Assemblies Evaluation Report from a Florida Registered Architect or a Licensed Florida Professional Engineer <input type="checkbox"/> Evaluation Report - Hardcopy Received Yiping Wang PE-55983 06/30/2018 Sifu Zhou, P.E. <input type="checkbox"/> Validation Checklist - Hardcopy Received FL20399_R1_COI_Certificate of independence FL SS.pdf <table border="0"> <thead> <tr> <th style="text-align: left;"><u>Standard</u></th> <th style="text-align: left;"><u>Year</u></th> </tr> </thead> <tbody> <tr> <td>TAS 201</td> <td>1994</td> </tr> <tr> <td>TAS 202</td> <td>1994</td> </tr> <tr> <td>TAS 203</td> <td>1994</td> </tr> </tbody> </table>	<u>Standard</u>	<u>Year</u>	TAS 201	1994	TAS 202	1994	TAS 203	1994
<u>Standard</u>	<u>Year</u>								
TAS 201	1994								
TAS 202	1994								
TAS 203	1994								

I affirm that there are no changes in the new Florida Building Code which affect my product(s) and my product(s) are in compliance with the new Florida Building Code.

Documentation from approved Evaluation or Validation Entity Yes No N/A

[FL20399_R1_COC_FBC 2017 Affirmation Letter-SS.pdf](#)

Product Approval Method Method 1 Option D

Date Submitted 02/12/2018
 Date Validated 02/12/2018
 Date Pending FBC Approval
 Date Approved 02/18/2018

Summary of Products

FL #	Model, Number or Name	Description
20399.1	Series 2865 Garage Door	Series 2865 Garage Door - LMI & SMI
Limits of Use Approved for use in HVHZ: Yes Approved for use outside HVHZ: Yes Impact Resistant: Yes Design Pressure: +65/-65 Other: For anchor options, see installation instructions.		Installation Instructions FL20399_R1_II_AD16-07 04-11-16 FA SS.pdf Verified By: Yiping Wang PE #55983 Created by Independent Third Party: Yes Evaluation Reports FL20399_R1_AE_EVR_SFRD_2865 SS.pdf Created by Independent Third Party: Yes

[Back](#) [Next](#)

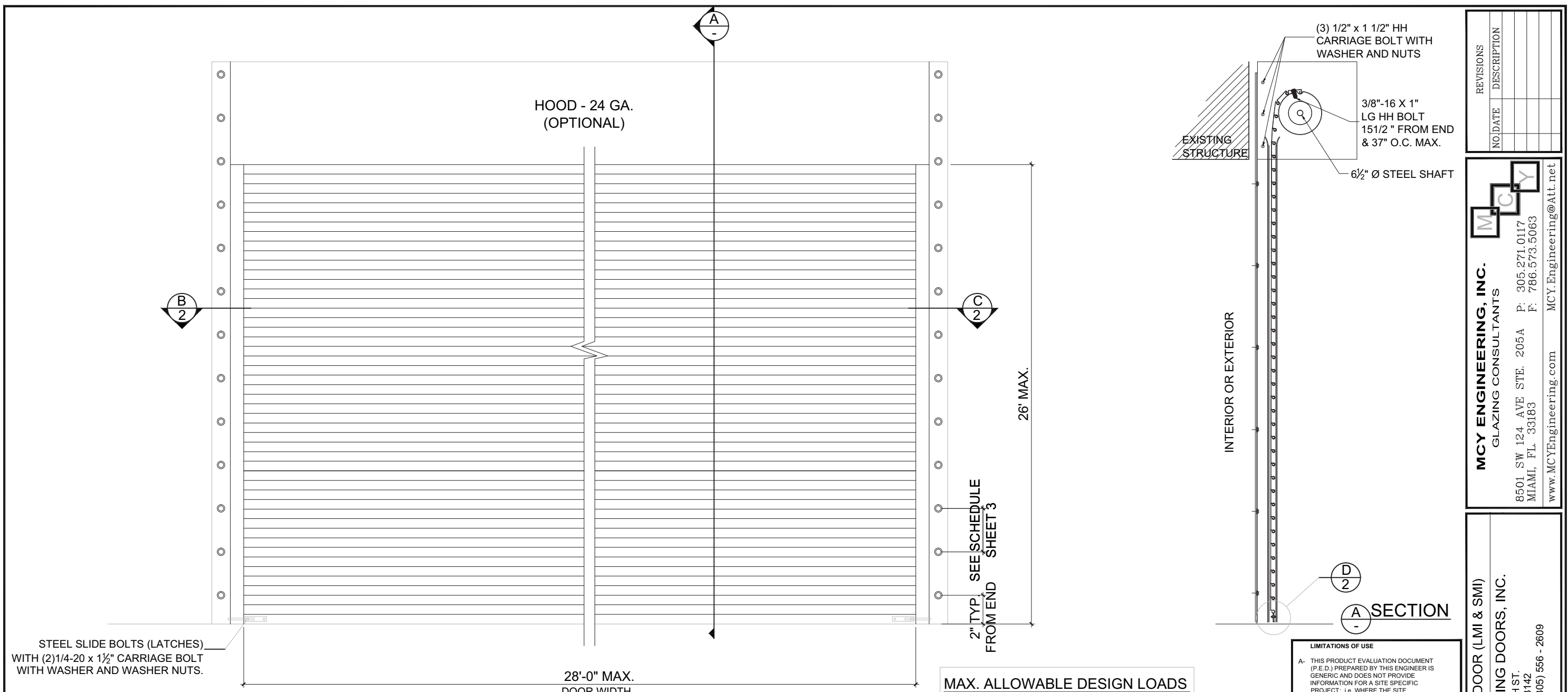
Contact Us :: 2601 Blair Stone Road, Tallahassee FL 32399 Phone: 850-487-1824

The State of Florida is an AA/EEO employer. [Copyright 2007-2013 State of Florida.](#) :: [Privacy Statement](#) :: [Accessibility Statement](#) :: [Refund Statement](#)

Under Florida law, email addresses are public records. If you do not want your e-mail address released in response to a public-records request, do not send electronic mail to this entity. Instead, contact the office by phone or by traditional mail. If you have any questions, please contact 850.487.1395. *Pursuant to Section 455.275(1), Florida Statutes, effective October 1, 2012, licensees licensed under Chapter 455, F.S. must provide the Department with an email address if they have one. The emails provided may be used for official communication with the licensee. However email addresses are public record. If you do not wish to supply a personal address, please provide the Department with an email address which can be made available to the public. To determine if you are a licensee under Chapter 455, F.S., please click [here](#).

Product Approval Accepts:





GENERAL NOTES:

- THIS PRODUCT HAS BEEN DESIGNED AND TESTED TO COMPLY WITH THE REQUIREMENTS OF THE 5TH EDITION FLORIDA BUILDING CODE (2014), INCLUDING HIGH VELOCITY HURRICANE ZONE (HVHZ).
- THE ROLL UP DOOR HAS BEEN TESTED AS PER FBC 2014 TAS 201, 202 AND 203 FOR LARGE MISSILE IMPACT. FORCE ENTRY RESISTANCE TEST PER AAMA 1303.5 IN ACCORDANCE WITH CHAPTER 17 OF THE FBC.
- DESIGN LOAD SHALL BE DETERMINED BASED ON BASIC WIND SPEED, BUILDING HEIGHT AND WIND ZONE USING APPLICABLE ASCE 7 STANDARD
- ULTIMATE DESIGN LOAD OBTAINED FROM ASCE 7-10, MULTIPLY BY 0.6 SHALL BE LESS THAN OR EQUAL TO DESIGN LOAD IN THIS DOCUMENT.

TYPICAL ELEVATION

- SLAT TO BE 22 GA. ASTM A653 DESIGNATION G - 90 FINISH TYPE COATING
- ANCHORS SHALL BE AS LISTED, SPACED AS SHOWN ON DETAILS. ANCHORS EMBEDMENT TO BASE MATERIAL SHALL BE BEYOND WALL DRESSING OR STUCCO.
- ANCHORING OR LOADING CONDITIONS NOT SHOWN IN THESE DETAILS ARE NOT PART OF THIS APPROVAL.
- MATERIALS INCLUDING BUT NOT LIMITED TO STEEL/METAL SCREWS THAT COME INTO CONTACT WITH OTHER DISSIMILAR MATERIALS SHALL MEET THE REQUIREMENTS OF THE 5TH EDITION FLORIDA BUILDING CODE (2014) SECTION AS APPLICABLE.
- IT SHALL BE THE RESPONSIBILITY OF THE CONTRACTOR TO VERIFY THAT THE EXISTING STRUCTURE IS DESIGNED TO SUPPORT Vx & Vy FORCES AT BOTH JAMBS. REFER TO SHEET 3 FOR Vx AND Vy.

MAX. ALLOWABLE DESIGN LOADS
 + 65 PSF
 - 65 PSF

LIMITATIONS OF USE

A- THIS PRODUCT EVALUATION DOCUMENT (P.E.D.) PREPARED BY THIS ENGINEER IS GENERIC AND DOES NOT PROVIDE INFORMATION FOR A SITE SPECIFIC PROJECT; i.e. WHERE THE SITE CONDITIONS DEVIATE FROM THE P.E.D.

B- CONTRACTOR TO BE RESPONSIBLE FOR THE SELECTION, PURCHASE AND INSTALLATION OF THIS PRODUCT BASED ON THIS PRODUCT EVALUATION PROVIDED HE/SHE DOES NOT DEVIATE FROM THE CONDITIONS DETAILED ON THIS DOCUMENT.

C- THIS PRODUCT EVALUATION DOCUMENT WILL BE CONSIDERED INVALID IF ALTERED BY ANY MEANS.

D- SITE SPECIFIC PROJECTS SHALL BE PREPARED BY A FLORIDA REGISTERED ENGINEER OR ARCHITECT WHICH WILL BECOME THE ENGINEER OF RECORD (E.O.R.) FOR THE PROJECT AND WHO WILL BE RESPONSIBLE FOR THE PROPER USE OF THE P.E.D.

E- THIS P.E.D. SHALL BEAR THE DATE AND ORIGINAL SEAL AND SIGNATURE OF THE PROFESSIONAL ENGINEER OF RECORD THAT PREPARED IT.

FLORIDA APPROVAL:
FL #20399

DATE 02-25-16
 SCALE AS SHOWN
 DRAWN Y.P./T.G.
 PROJECT MCY 16-015

DRAWING NO.
AD16-07

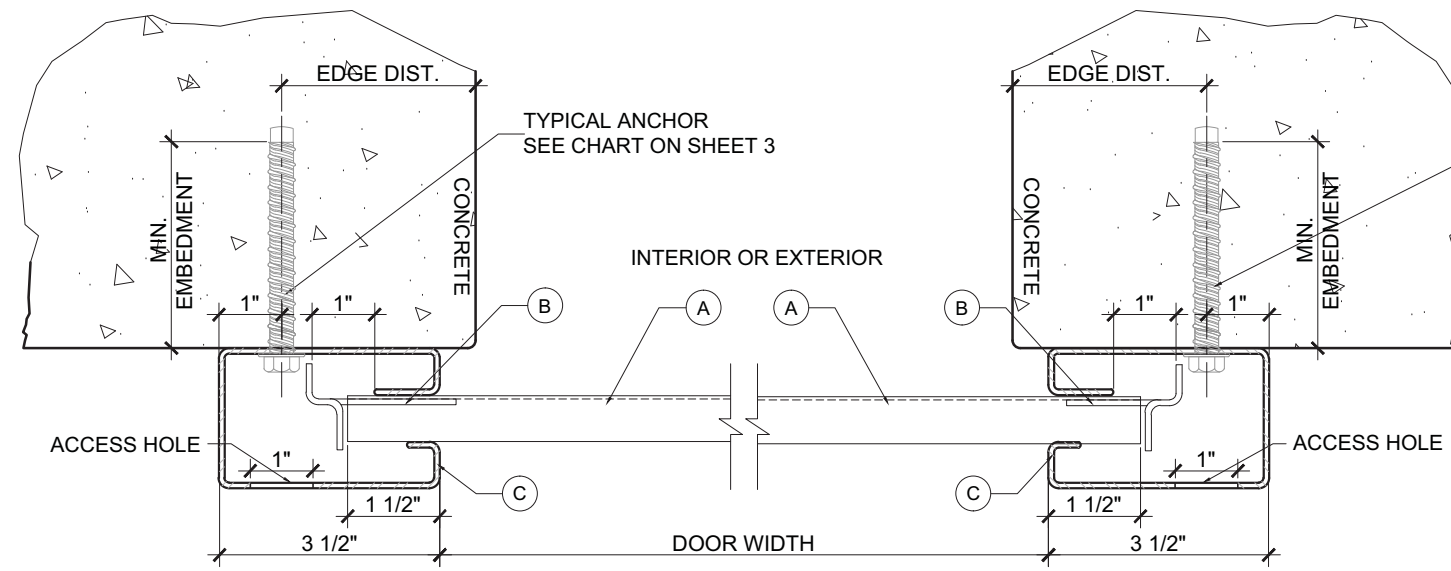
SHEET 1 of 4

NO.	DATE	DESCRIPTION

MCY ENGINEERING, INC.
 GLAZING CONSULTANTS

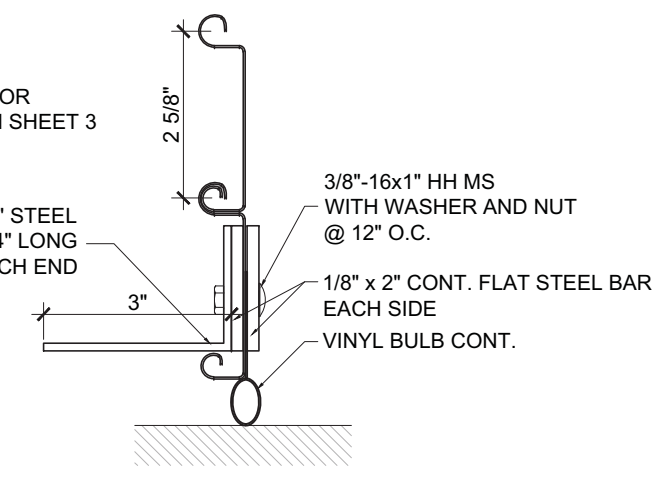
8501 SW 124 AVE STE. 205A P: 305.271.0117
 MIAMI, FL 33183 F: 786.573.5063
 www.MCYEngineering.com MCY.Engineering@Att.net

SOUTH FLORIDA ROLLING DOORS, INC.
 3590 NW 34TH ST.
 MIAMI, FL 33142
 P: (305) 556 - 6633 F: (305) 556 - 2609

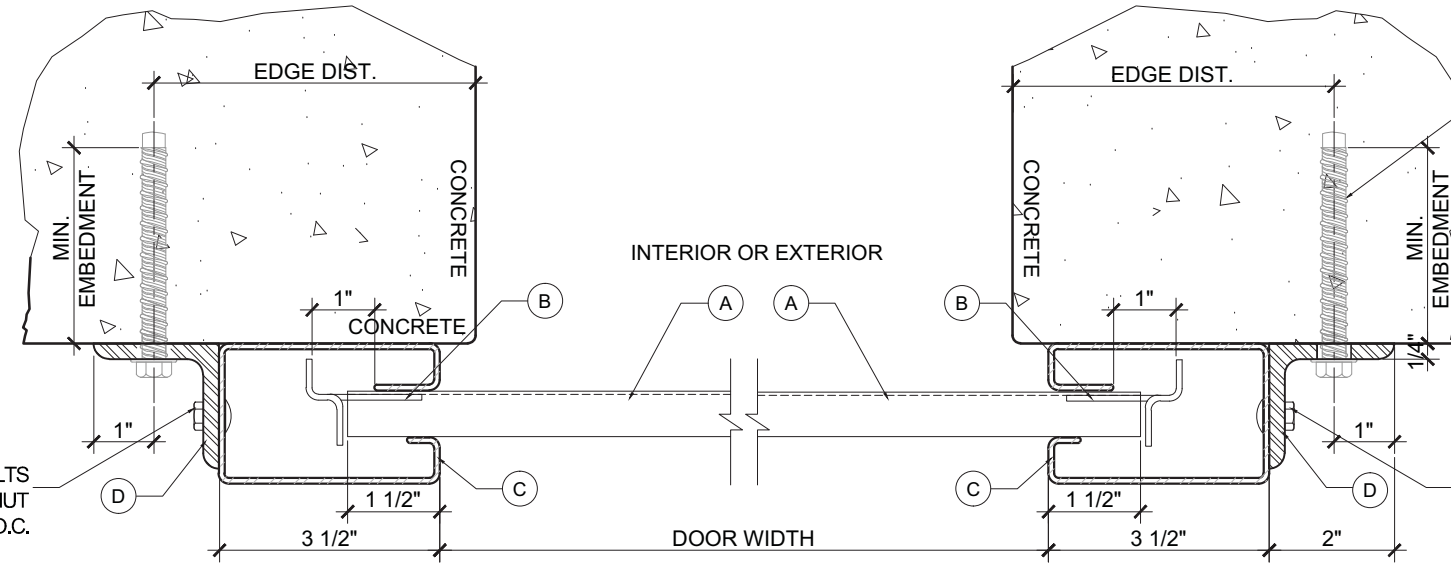


B

C



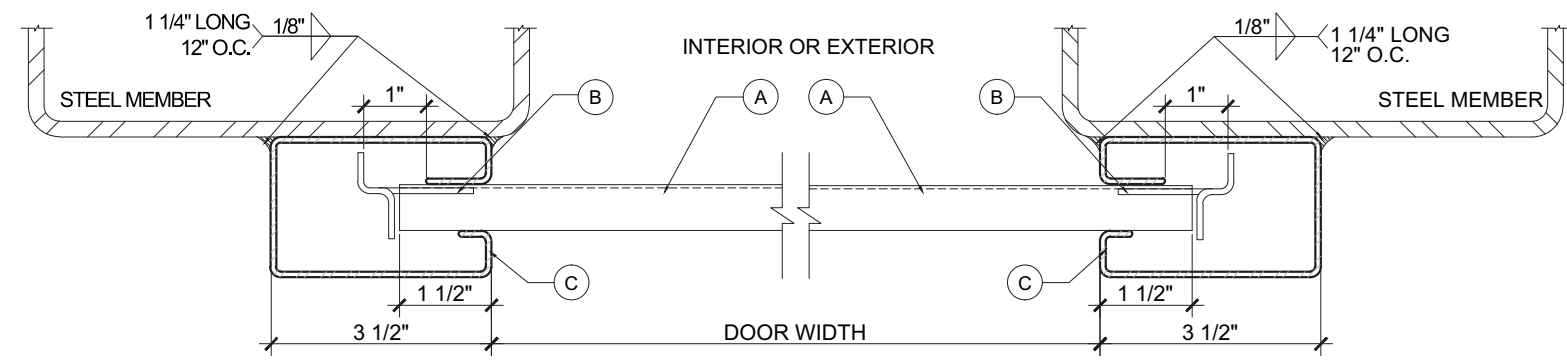
D BOTTOM BAR DETAIL



B

C

NOTES:
DOOR MAY BE INSTALLED ON THE INSIDE OR OUTSIDE OF AN EXISTING OPENING.
THE DETAILS CAN BE USED IN ANY COMBINATION.



B

C

NO.	DATE	DESCRIPTION

MCY

MCY ENGINEERING, INC.
GLAZING CONSULTANTS

8501 SW 124 AVE STE. 205A P: 305.271.0117
MIAMI, FL 33183 F: 786.573.5063

www.MCYEngineering.com MCY.Engineering@Att.net

SOUTH FLORIDA ROLLING DOORS, INC.

3590 NW 34TH ST.
MIAMI, FL 33142
P: (305) 556 - 6633 F: (305) 556 - 2609

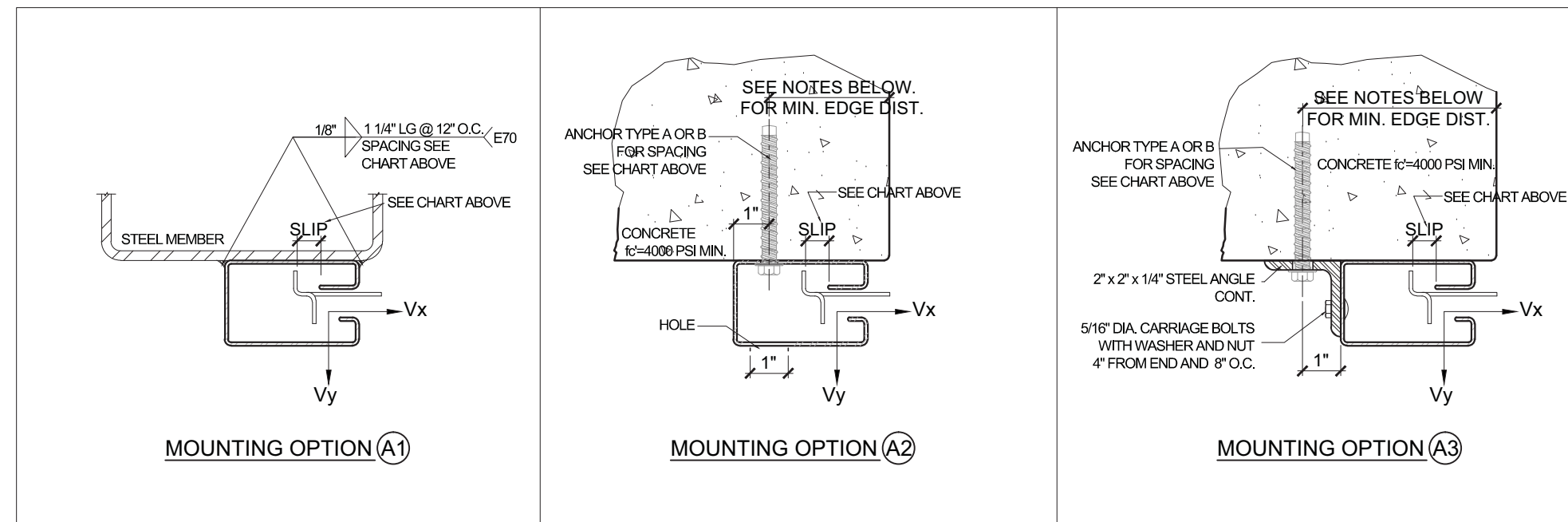
FLORIDA APPROVAL
FL #20399

YIYING WANG
Professional Engineer
FL #55983
C.A. No. 10077

DATE 02-25-16
SCALE AS SHOWN
DRAWN Y.P./T.G.
PROJECT MCY 16-015

DRAWING NO.	AD16-07
SHEET	2 of 4

MAXIMUM DESIGN LOAD (PSF)	DOOR WIDTH (FT)	DESIGN SLIP (IN)	MAX. LOADS AT EACH SIDE OF JAMB		ANCHOR SPACING (INCHES)				
			V _x (LB/FT)	V _y (LB/FT)	MOUNTING (A1)	MOUNTING (A2)		MOUNTING (A3)	
					TYPE C	TYPE A	TYPE B	TYPE A	TYPE B
					STEEL	f _c ' = 4000 (PSI) MIN.			
±65	28	1	3611	929	12"	4 1/4"	5"	4 1/4"	5"
	26	1	3268	864	12"	4 3/4"	5 1/2"	4 3/4"	5 1/2"
	24	1	2925	799	12"	5 1/4"	6"	5 1/4"	6"
	22	1	2583	734	12"	6"	6 3/4"	6"	6 3/4"
	20	1	2239	669	12"	6 3/4"	7 3/4"	6 3/4"	7 3/4"
	18	1	1892	604	12"	8"	8"	8"	8"



TYPICAL ANCHOR TYPES:

(SEE CHART FOR SPACING)

TYPE A. 3/8" DIA. WEDGE BOLT ANCHOR BY POWERS DIRECTLY INTO CONCRETE f_c'=4000 PSI MIN. 3 1/2" MIN. EMBED 4 1/2" MIN. EDGE DIST. 4" MIN. SPACING

TYPE B. 1/2" DIA. WEDGE BOLT ANCHOR BY POWERS DIRECTLY INTO CONCRETE f_c'=4000 PSI MIN. 4" MIN. EMBED 5" MIN. EDGE DIST. 5" MIN. SPACING

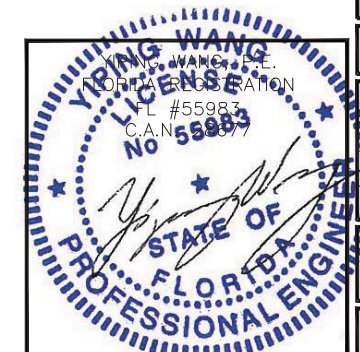
TYPE C. 1/8" x 1 1/4" LONG WELDS ELECTRODE E70 WELDED TO STEEL 3/16" MIN. THICK STEEL : F_y = 36 KSI MIN. MOUNTING A1 ONLY

STRUCTURE TO BE DETERMINATED BY PROJECT DEDICATED ENGINEER.

NO.	DATE	DESCRIPTION

MCY ENGINEERING, INC.
GLAZING CONSULTANTS
8501 SW 124 AVE STE. 205A P: 305.271.0117
MIAMI, FL 33183 F: 786.573.5063
www.MCYEngineering.com MCY.Engineering@Att.net

SERIES 2865 GARAGE DOOR (LMI & SMI)
SOUTH FLORIDA ROLLING DOORS, INC.
3590 NW 34TH ST.
MIAMI, FL 33142
P: (305) 556 - 6633 F: (305) 556 - 2609

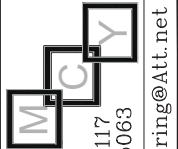


FLORIDA APPROVAL	
FL #20399	
DATE	02-25-16
SCALE	AS SHOWN
DRAWN	Y.P./T.G.
PROJECT	MCY 16-015
DRAWING NO.	AD16-07
SHEET 3 of 4	

BILL OF MATERIALS

ITEM #	QTY.	DESCRIPTION	MATERIAL	MANUFACTURER/REMARKS
A	AS REQD.	22 GA. (0.029") FLAT SLAT	GALVANIZED STEEL OR STAINLESS STEEL	ASTM A653 Fy = 62 KSI OR STAINLESS STEEL AISI 304 Fy = 62 KSI . SOUTH FLORIDA ROLLING DOOR, CORP
B	EVERY OTHER SLAT	14 GA WINDLOCKS	PLATED STEEL	ASTM A36 MIN. SOUTH FLORIDA ROLLING DOOR, CORP.
C	2 PER FRAME	ROLLFORMED STEEL TRACK	GALVANIZED STEEL	ASTM A36 MIN.
D	AS REQD.	2 x 2 x 1/4" STEEL ANGLE	GALVANIZED STEEL	ASTM A36 MIN.
E	AS REQD.	EXPANDED POLYSTYRENE BLOCK TYPE INSULATION	POLYSTYRENE	DYPLAST PRODUCTS LLC. (NOA 11-0926.07)
F	EVERY OTHER SLAT	14 GA. WINDLOCKS	PLATED STEEL	ASTM A36 MIN. SOUTH FLORIDA ROLLING DOOR, CORP.
G	6 AT LAST TOP SLAT	14 GA. ENDLOCKS	PLATED STEEL	ASTM A36 MIN. SOUTH FLORIDA ROLLING DOOR, CORP.

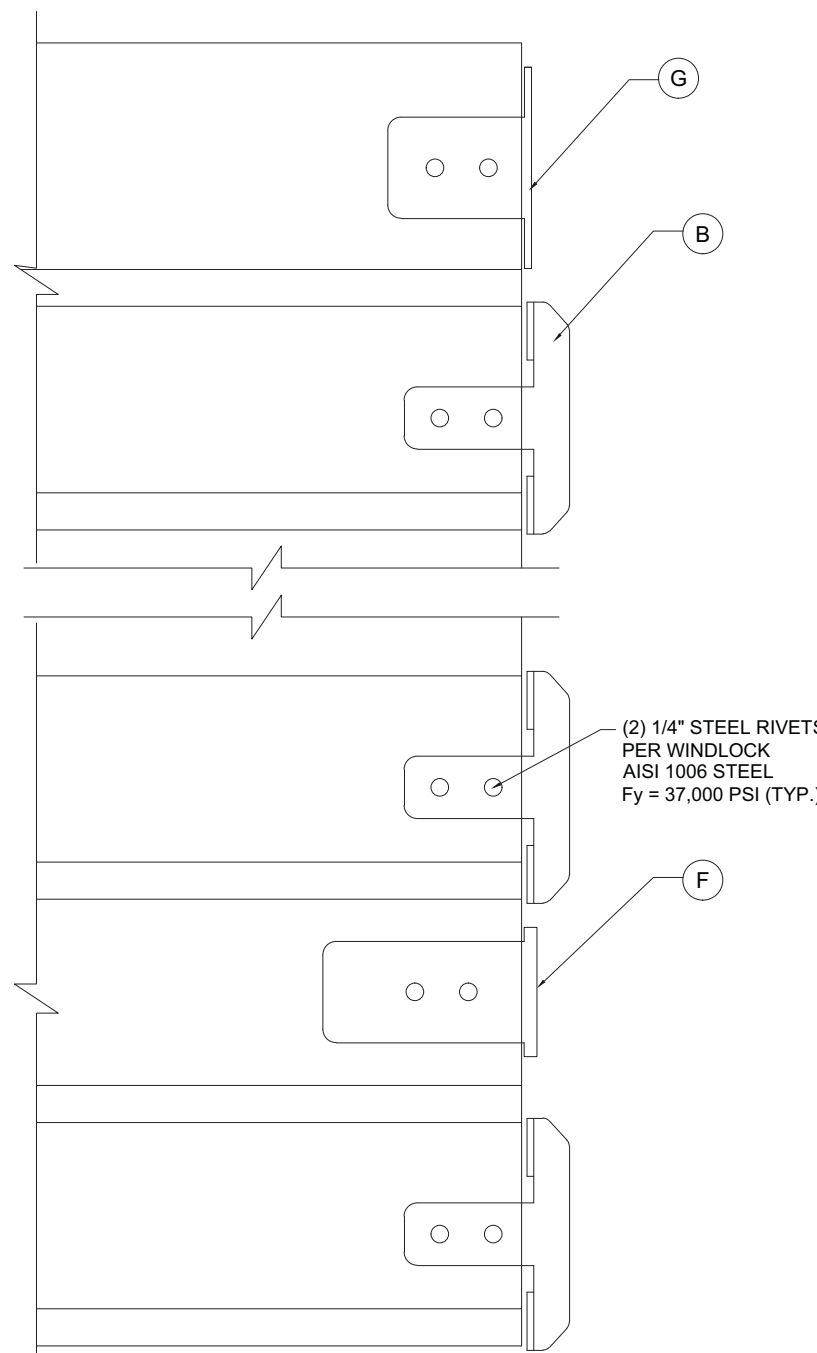
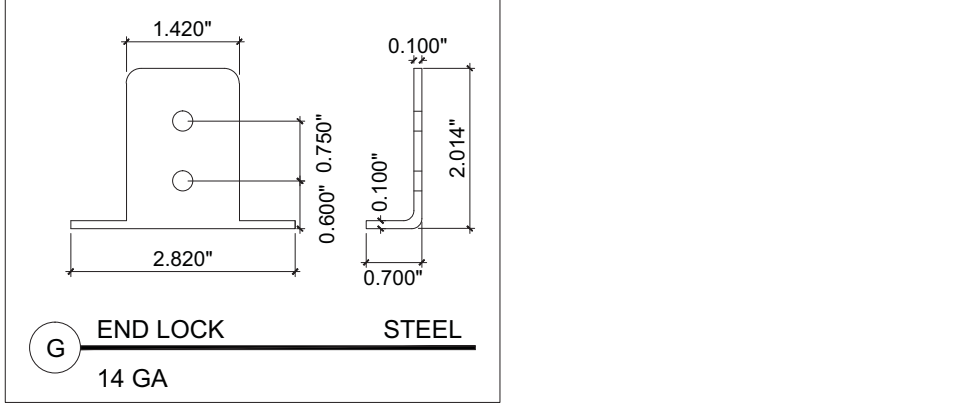
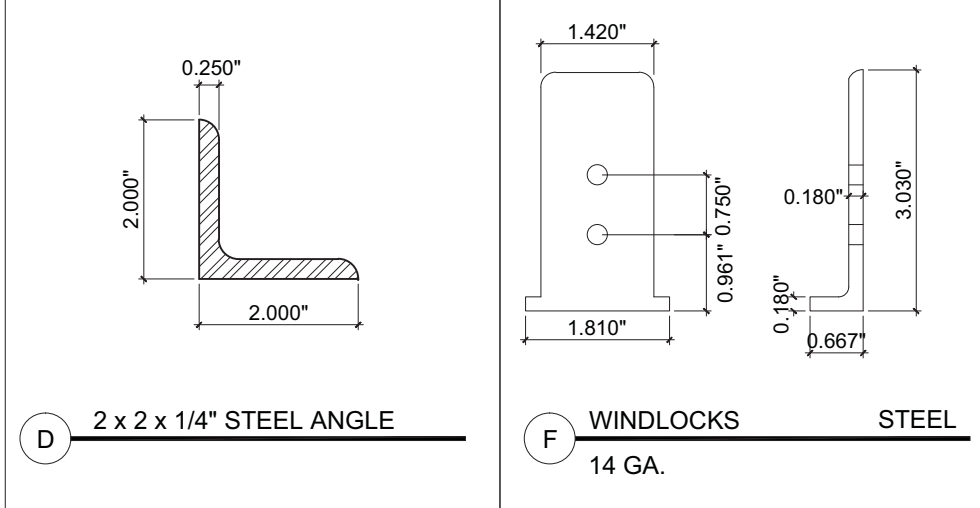
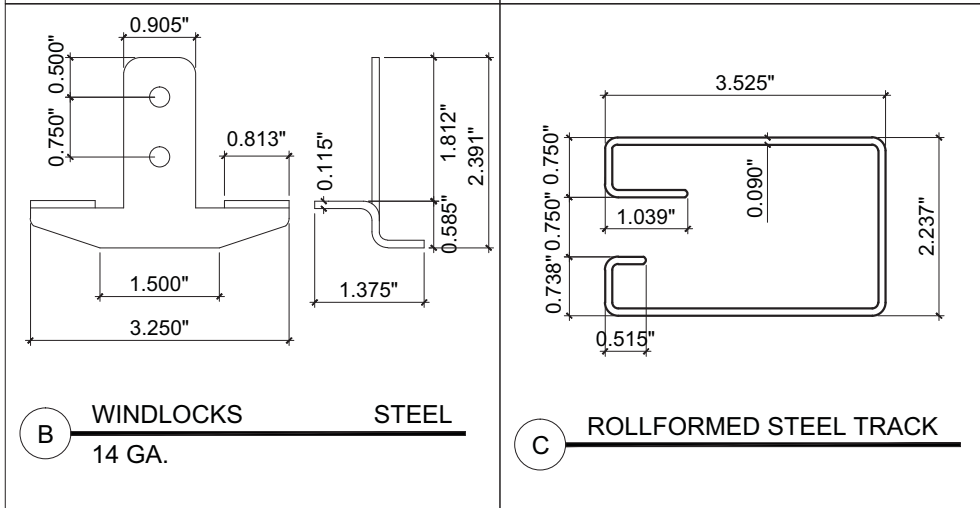
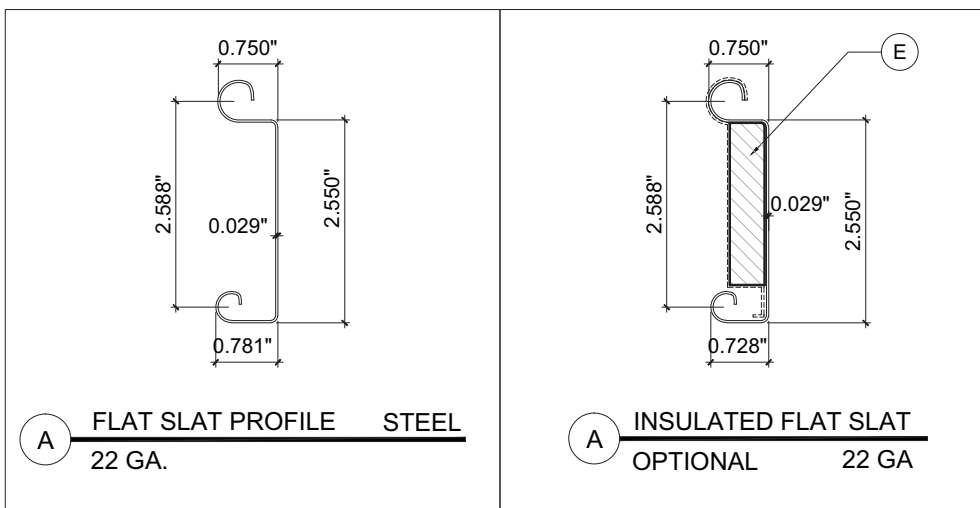
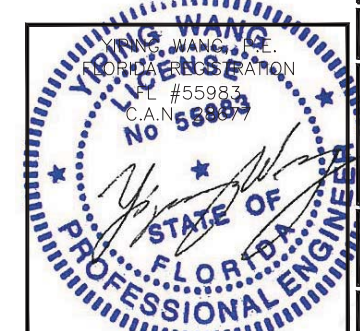
NO.	DATE	DESCRIPTION



MCY ENGINEERING, INC.
GLAZING CONSULTANTS
8501 SW 124 AVE STE. 205A P: 305.271.0117
MIAMI, FL 33183 F: 786.573.5063
www.MCYEngineering.com MCY.Engineering@Att.net

SERIES 2865 GARAGE DOOR (LMI & SMI)
SOUTH FLORIDA ROLLING DOORS, INC.
3590 NW 34TH ST.
MIAMI, FL 33142
P: (305) 556 - 6633 F: (305) 556 - 2609

FLORIDA APPROVAL	
FL #	20399
DATE	02-25-16
SCALE	AS SHOWN
DRAWN	Y.P./T.G.
PROJECT	MCY 16-015
DRAWING NO.	AD16-07
SHEET 4 of 4	



INTERLOCKING SLATS AND WINDLOCKS DETAIL